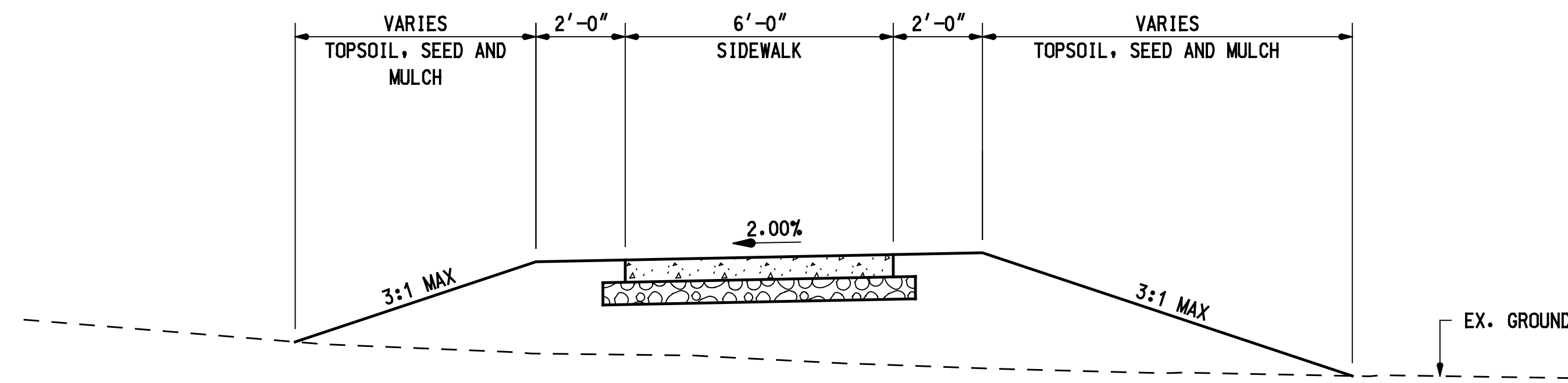


**RAMPS/LANDING PADS OPTION (CONCEPT 2)**  
NOT TO SCALE

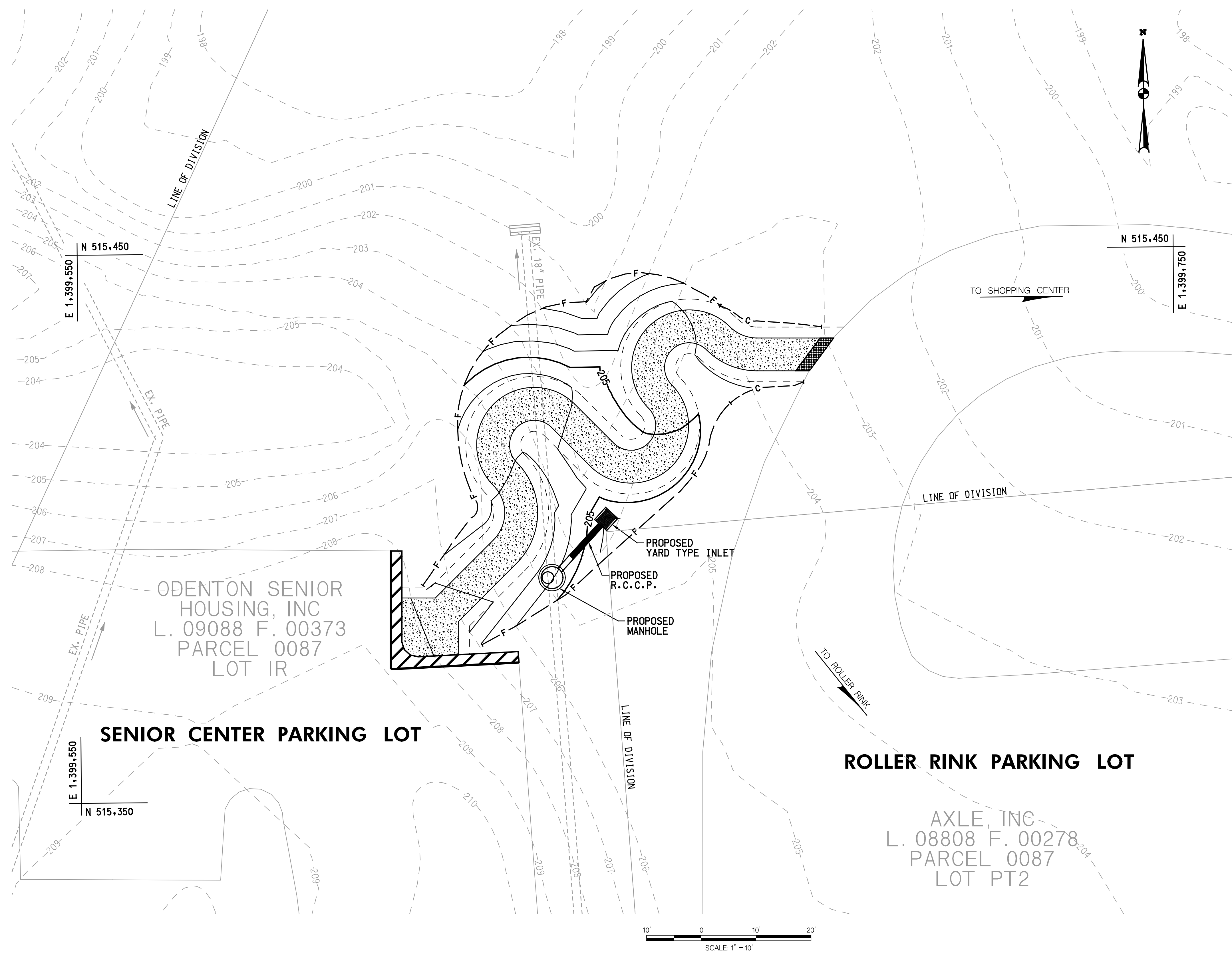


**SWITCHBACK OPTION (CONCEPT 1)**  
NOT TO SCALE

**WM WALLACE MONTGOMERY**  
ENGINEERS • PLANNERS • SURVEYORS • CONSTRUCTION MANAGERS  
10150 York Road, Suite 200  
Hunt Valley, Maryland 21030  
410.494.9093 Tel / 410.667.0925 Fax  
www.WallaceMontgomery.com A Limited Liability Partnership

REVISIONS			
NO.	DESCRIPTION	BY	DATE

<b>ANNE ARUNDEL COUNTY</b>			
<b>DEPARTMENT OF PUBLIC WORKS</b>			
APPROVED	DATE	APPROVED	DATE
CHIEF ENGINEER		PROJECT MANAGER	
APPROVED	DATE	APPROVED	DATE
ASSISTANT CHIEF ENGINEER		CHIEF, R/W SERVICES	
SCALE	N.T.S.	<b>TYPICAL SECTIONS</b> <b>ODENTON SENIOR CENTER PATHWAY</b> CONCEPTUAL DEVELOPMENT	
DRAWN BY	J.D.W.		
CHECKED BY	S.K.L.		
SHEET	XX OF XX		
PROJECT NO.	XXXXX		
CONTRACT NO.	XXXXX		



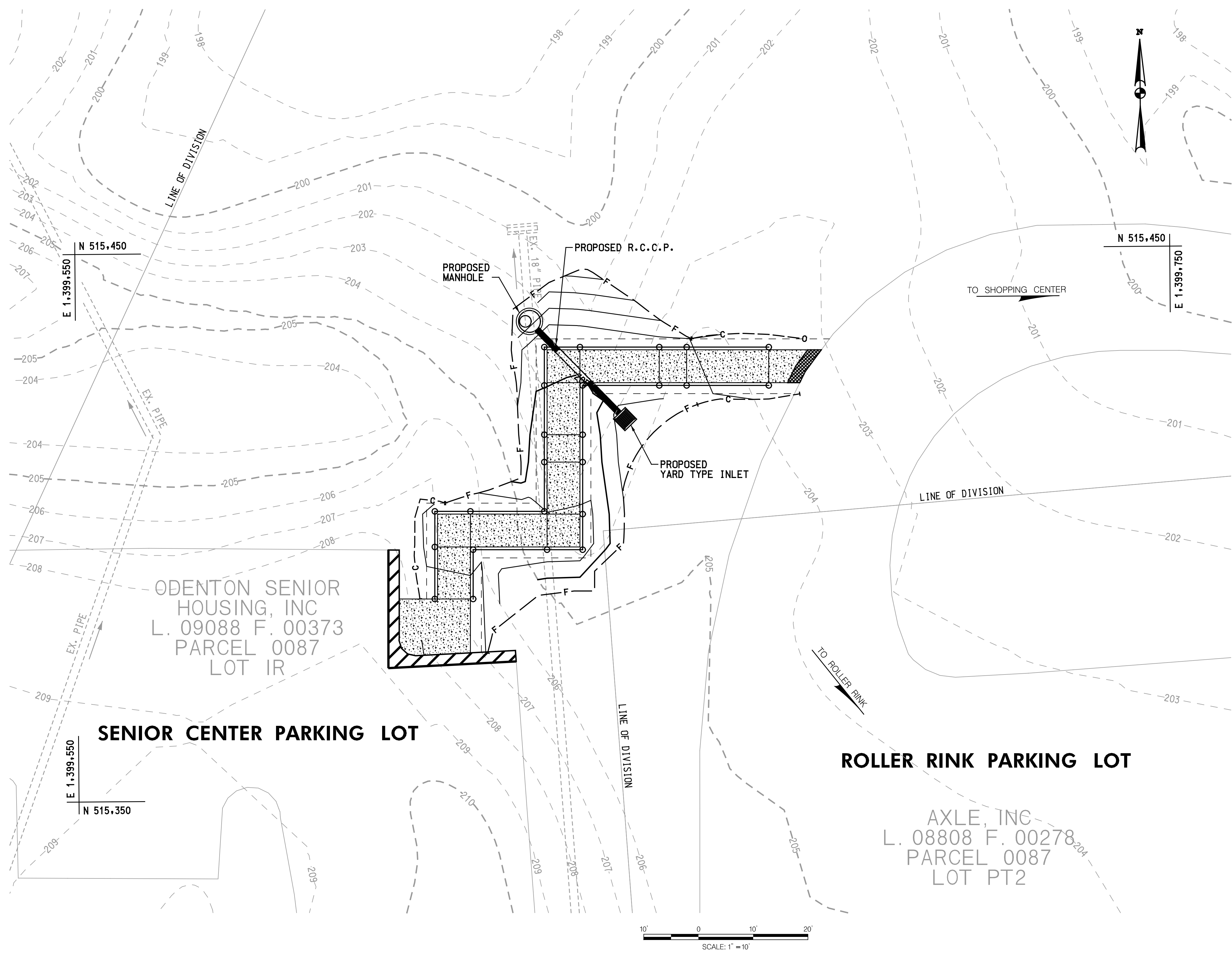
DATUM: NAD 8391 Horizontal  
NAVD 88 Vertical

**WM WALLACE MONTGOMERY**  
ENGINEERS • PLANNERS • SURVEYORS • CONSTRUCTION MANAGERS  
10150 York Road, Suite 200  
Hunt Valley, Maryland 21030  
410.494.9093 Tel / 410.667.0925 Fax  
www.WallaceMontgomery.com A Limited Liability Partnership

REVISIONS			
NO.	DESCRIPTION	BY	DATE

ANNE ARUNDEL COUNTY DEPARTMENT OF PUBLIC WORKS			
APPROVED	DATE	APPROVED	DATE
CHIEF ENGINEER		PROJECT MANAGER	
APPROVED	DATE	APPROVED	DATE
ASSISTANT CHIEF ENGINEER		CHIEF, R/W SERVICES	
SCALE 1"=10'		CONCEPT 1 PATHWAY PLAN	
DRAWN BY J.D.W.		ODENTON SENIOR CENTER PATHWAY	
CHECKED BY S.K.L.		CONCEPTUAL DEVELOPMENT	
SHEET OF XX			
PROJECT NO. XXXXX			
CONTRACT NO. XXXXX			

PLOTTED: Wednesday, May 13, 2014 AT 03:01 PM  
FILE: M:\PROJ\21009.0011\Highways\Cadd\pHD-P001\_OSCP-411.dgn

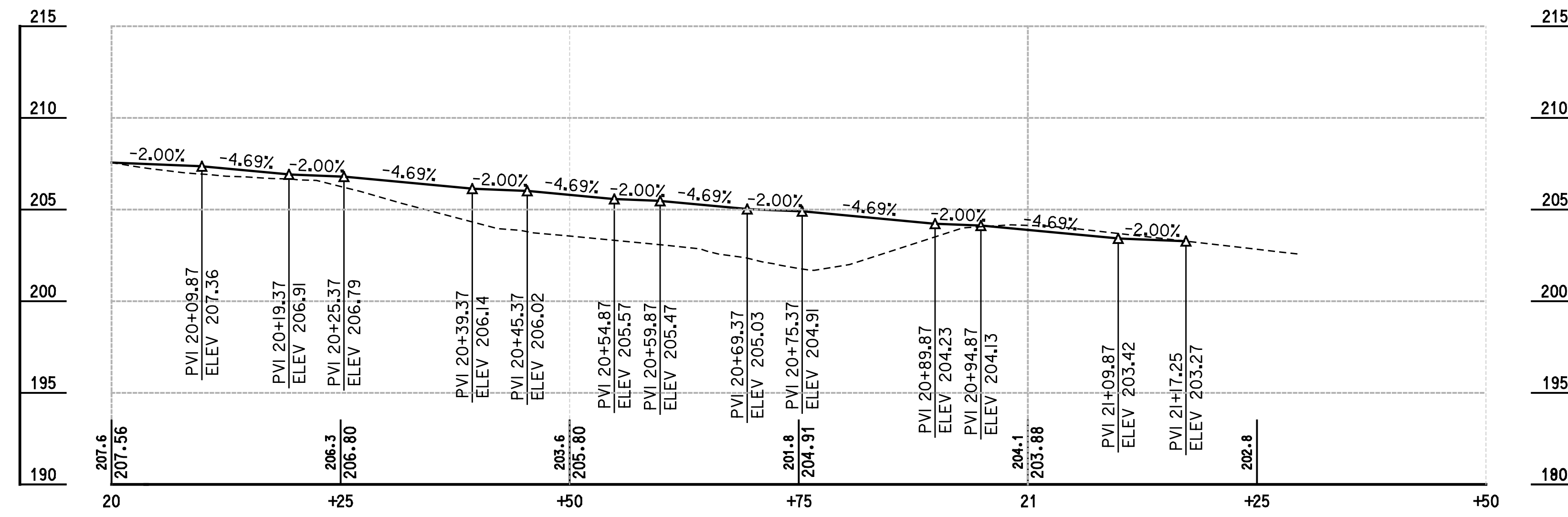


**WALLACE MONTGOMERY**  
ENGINEERS • PLANNERS • SURVEYORS • CONSTRUCTION MANAGERS  
10150 York Road, Suite 200  
Hunt Valley, Maryland 21030  
410.494.9093 Tel / 410.667.0925 Fax  
www.WallaceMontgomery.com A Limited Liability Partnership

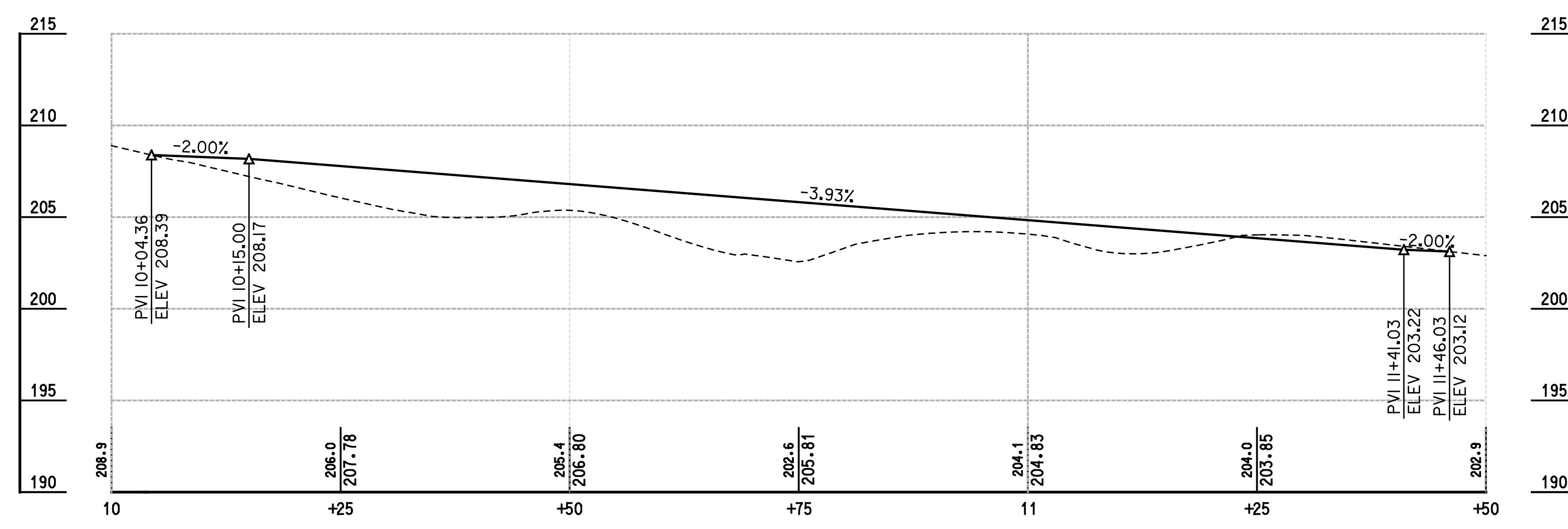
REVISIONS			
NO.	DESCRIPTION	BY	DATE

<b>ANNE ARUNDEL COUNTY</b>			
<b>DEPARTMENT OF PUBLIC WORKS</b>			
APPROVED	DATE	APPROVED	DATE
CHIEF ENGINEER		PROJECT MANAGER	
APPROVED	DATE	APPROVED	DATE
ASSISTANT CHIEF ENGINEER		CHIEF, R/W SERVICES	
SCALE 1"=10'		DRAWN BY J.D.W.	
CHECKED BY S.K.L.		SHEET XX OF XX	
PROJECT NO. XXXXX		CONTRACT NO. XXXXX	
<b>CONCEPT 2 PATHWAY PLAN</b>			
<b>ODENTON SENIOR CENTER PATHWAY</b>			
CONCEPTUAL DEVELOPMENT			

PLOTTED: Wednesday, May 10, 2017 AT 03:01 PM  
FILE: M:\PROJ\21009.0011\Highways\Cadd\pHD-P001\_OSCF-A12.dgn



CONCEPT 2  
 PROFILE : HORIZONTAL : 1" = 10'  
 VERTICAL : 1" = 5'



CONCEPT 1  
 PROFILE : HORIZONTAL : 1" = 10'  
 VERTICAL : 1" = 5'

DATUM: NAD 8391 Horizontal  
 NAVD 88 Vertical

**WALLACE MONTGOMERY**  
 ENGINEERS • PLANNERS • SURVEYORS • CONSTRUCTION MANAGERS  
 10150 York Road, Suite 200  
 Hunt Valley, Maryland 21030  
 410.494.9093 Tel / 410.667.0925 Fax  
 www.WallaceMontgomery.com A Limited Liability Partnership

REVISIONS			
NO.	DESCRIPTION	BY	DATE

<b>ANNE ARUNDEL COUNTY</b>			
<b>DEPARTMENT OF PUBLIC WORKS</b>			
APPROVED _____	DATE _____	APPROVED _____	DATE _____
CHIEF ENGINEER		PROJECT MANAGER	
APPROVED _____	DATE _____	APPROVED _____	DATE _____
ASSISTANT CHIEF ENGINEER		CHIEF, R/W SERVICES	
SCALE AS SHOWN		CONCEPT PROFILE SHEET	
DRAWN BY J.D.W.		CHECKED BY S.K.L.	
SHEET XX OF XX		PROJECT NO. XXXXX	
CONTRACT NO. XXXXX		ODENTON SENIOR CENTER PATHWAY CONCEPTUAL DEVELOPMENT	

ALTERNATIVE 1 CONCEPT SUBMITTAL ENGINEER'S COST ESTIMATE FOR CONTRACT NO. XXXX  
 May 10, 2017

ITEM	DESCRIPTION	AACO SPEC SECTION	ESTIMATE QUANTITY	UNIT	UNIT PRICE	TOTAL PRICE	REMARKS
1	Construction Mobilization	01100	1	LS	\$ 3,100.00	\$ 3,100.00	10% OF Non-Preliminary Items
2	Construction Stakeout	01300	1	LS	\$ 600.00	\$ 600.00	2% OF Non-Preliminary Items
3	Maintenance of Traffic	01410	1	LS	\$ 5,000.00	\$ 5,000.00	15% OF Non-Preliminary Items. Includes Flagging, Barricades, PVMS, & Remove/Relocate Ex. Signs
4	Protection of the Environment	01500	1	LS	\$ 2,500.00	\$ 2,500.00	8% OF Non-Preliminary Items (Erosion& Sediment Control Measures)
5	Clearing and Grubbing	02110	1	LS	\$ 1,500.00	\$ 1,500.00	\$1500 PER ACRE OF DISTURBANCE
6	Embankment	02260	130	CY	\$ 25.00	\$ 3,250.00	
7	15" R.C.C.P.	02520	12	LF	\$ 55.00	\$ 660.00	
8	Type A-1 Manhole	02530	1	EA	\$ 3,000.00	\$ 3,000.00	AACO STD D-11
9	Yard Type Inlet	02530	1	EA	\$ 3,000.00	\$ 3,000.00	AACO STD D-50
10	Graded Aggregate Base Course (6 Inch)	02621.06	110	SY	\$ 15.00	\$ 1,650.00	6" GAB Base
11	Portland Cement Concrete Sidewalk	02660.01	800	SF	\$ 20.00	\$ 16,000.00	5" Sidewalk
12	Detectable Warning Surface	02722	15	SF	\$ 10.00	\$ 150.00	See Plans & Special Provisions for Details
13	Furnished Topsoil	02813	100	CY	\$ 20.00	\$ 2,000.00	USING SOD
14	Furnish and Plant Trees, Shrubs, Vines, Groundcovers, and Seedling Stock	02860	4	EA	\$ 500.00	\$ 2,000.00	

**SUBTOTAL = \$ 42,410.00**  
 25% DESIGN CONTINGENCY = \$ 10,700.00  
 TOTAL (ROUNDED TO NEAREST THOUSAND) = \$ 54,000.00  
 SPECIFIC CONTINGENT ITEMS (COUNTY STANDARD ITEMS) = \_\_\_\_\_  
**TOTAL FOR COUNTY BUDGETING PURPOSES = \$ 54,000.00**

ALTERNATIVE 2 CONCEPT SUBMITTAL ENGINEER'S COST ESTIMATE FOR CONTRACT NO. XXXX  
 May 10, 2017

ITEM	DESCRIPTION	AACO SPEC SECTION	ESTIMATE QUANTITY	UNIT	UNIT PRICE	TOTAL PRICE	REMARKS
1	Construction Mobilization	01100	1	LS	\$ 4,800.00	\$ 4,800.00	10% OF Non-Preliminary Items
2	Construction Stakeout	01300	1	LS	\$ 1,000.00	\$ 1,000.00	2% OF Non-Preliminary Items
3	Maintenance of Traffic	01410	1	LS	\$ 7,000.00	\$ 7,000.00	15% OF Non-Preliminary Items. Includes Flagging, Barricades, PVMS, & Remove/Relocate Ex. Signs
4	Protection of the Environment	01500	1	LS	\$ 3,800.00	\$ 3,800.00	8% OF Non-Preliminary Items (Erosion& Sediment Control Measures)
5	Clearing and Grubbing	02110	1	LS	\$ 1,500.00	\$ 1,500.00	\$1500 PER ACRE OF DISTURBANCE
6	Embankment	02260	80	CY	\$ 25.00	\$ 2,000.00	
7	15" R.C.C.P.	02520	22	LF	\$ 55.00	\$ 1,210.00	
8	Type A-1 Manhole	02530	1	EA	\$ 3,000.00	\$ 3,000.00	AACO STD D-11
9	Yard Type Inlet	02530	1	EA	\$ 3,000.00	\$ 3,000.00	AACO STD D-50
10	Graded Aggregate Base Course (4 Inch)	02621	100	SY	\$ 15.00	\$ 1,500.00	4" GAB BASE
11	Graded Aggregate Base Course (6 Inch)	02621.06	100	SY	\$ 15.00	\$ 1,500.00	6" GAB Base
12	Portland Cement Concrete Sidewalk	02660.01	800	SF	\$ 20.00	\$ 16,000.00	5" Sidewalk
13	Detectable Warning Surface	02722	15	SF	\$ 10.00	\$ 150.00	See Plans & Special Provisions for Details
14	Furnished Topsoil	02813	100	CY	\$ 20.00	\$ 2,000.00	USING SOD
15	Metal Handrails	05500	200	LF	\$ 80.00	\$ 16,000.00	See Plans & Special Provisions for Details

**SUBTOTAL = \$ 64,460.00**  
 25% DESIGN CONTINGENCY = \$ 16,200.00  
 TOTAL (ROUNDED TO NEAREST THOUSAND) = \$ 81,000.00  
 SPECIFIC CONTINGENT ITEMS (COUNTY STANDARD ITEMS) = \_\_\_\_\_  
**TOTAL FOR COUNTY BUDGETING PURPOSES = \$ 81,000.00**