



July 19, 2021

Dear Interested Hunter:

The Anne Arundel County Department of Recreation and Parks (AADRP), is pleased to announce that it will now be accepting applications for its Managed Hunt program. Persons wishing to participate in our management efforts may apply at any time during the year. Qualified applicants will be contacted and scheduled for an in-person interview. **The application deadline for the 2021-2022 season is 4pm on August 23, 2021.** Any applications received after this date and time will be held for the next management season. Please follow the instructions below for applying early and more information will be provided as it becomes available throughout the year.

Our selection of hunters will be based on each hunter having the credentials listed below, the completion of an application packet and being interviewed by the Hunter Selection Committee. All previous year Anne Arundel County managed hunt participants in good standing; are pre-approved and need only submit the Hunter Information Form, the Background Check Authorization Form and the administrative fee. All applicants are also subject to records checks through the Maryland Natural Resources Police and State and Local Police.

At this time, we are still awaiting final approval of the exact hunting dates and culling restrictions. If no changes occur, they will be as published in the 2021-2022 Managed Hunt Rules and Regulations document found within this packet. Hunters in our program are strongly urged to harvest as many antlerless deer as they can take safely and humanely. Our primary goal is to manage an overabundant deer population. Participating hunters are required to provide their own climbing or ladder stand and required safety equipment for their use.

We want all hunters who are contemplating participation in the AADRP hunt to be aware that we are very discerning in our selection of hunters. This hunt is being conducted as a natural resource management tool, not a recreational program, and we are dedicated to assuring the safety of the residents in the area and the participating hunters, as well as the humane treatment of the deer. All hunters must provide the following with their completed application:

- Proof of Maryland residency (MD License or ID, or Military ID and residency proof).
- Valid Photo I.D.
- A \$25.00 non-refundable administrative processing fee (payable to: Anne Arundel County. (Pre-approved hunters must submit an application and pay this fee as well).
- Completed background check authorization form.
- A separate \$7.00 fee to process the background check (payable to: Anne Arundel County) or you may go to our website to fill-out and pay only for their Background Check with a credit card. Please refer to the 2021-2022 Managed Hunt Rules and Regulations packet for detailed background check information.

Individuals who successfully pass the interview process and other pre-requisites, the individual is accepted into the program. Applicants will then need to provide the following before they will be allowed to participate in a hunt:

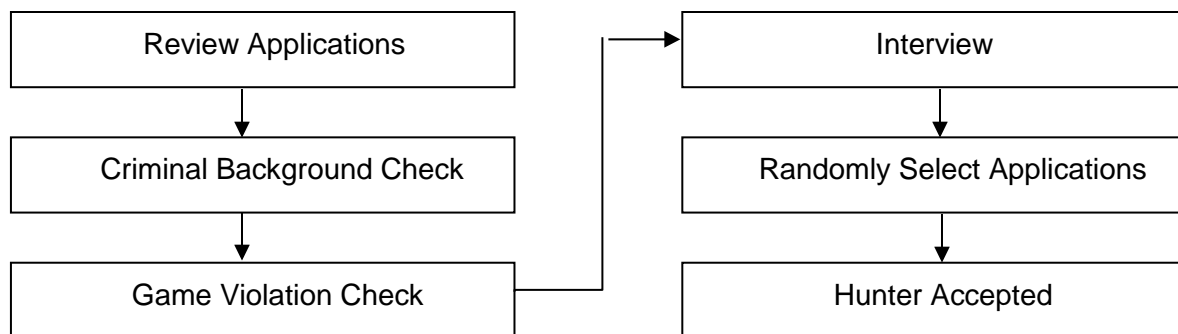
- \$50 Registration Fee
- Valid 2021-2022 Maryland Hunting License.
- Valid Hunter Safety Card
- Shotgun/Muzzleloader Hunters: A 2021-2022 Maryland Shooter Qualification Card must be obtained prior to the date of the first hunt for the weapon type(s) to be used during the hunt.

Due to the expected large volume of applications we will need to process, it is extremely important that applicants follow the directions and time schedules given. AADRP will not be responsible for late, incomplete, lost or missing applications. All applications and questionnaires must be received NO LATER THAN 4:00 p.m. on August 23rd 2021.

Interested Hunters may:

- **Mail complete application and fee to:**
AACo. Dept of Rec & Parks
ATTN DEER MANAGEMENT
1 Harry S. Truman Parkway
Annapolis MD 21401
- **Drop application and fee in the mail drop box located in the parking lot of 1 Harry S. Truman, Annapolis MD**
- **Email applications to rpdeer00@aacounty.org. Fees must still be mailed/dropped off in the drop box**

Hunter Selection Process



Once the applications and questionnaires have been received, we will screen them. Those new applicants who receive preliminary approval based on the questionnaire will be contacted to interview with the Hunter Selection Committee.

Hunters who do not pass our requirements will be contacted by phone; all others will be expected to attend the mandatory meeting. A \$50.00 registration fee will be charged to all hunters accepted into the program and will be collected at the annual Mandatory Hunter Meeting which all accepted hunters, new and returning must attend.

We thank you for your interest in this program and look forward to a safe and successful hunt.

Sincerely,

Adam Smith
Deer Program Manager

Jess Hardy
Deer Program Assistant Manager