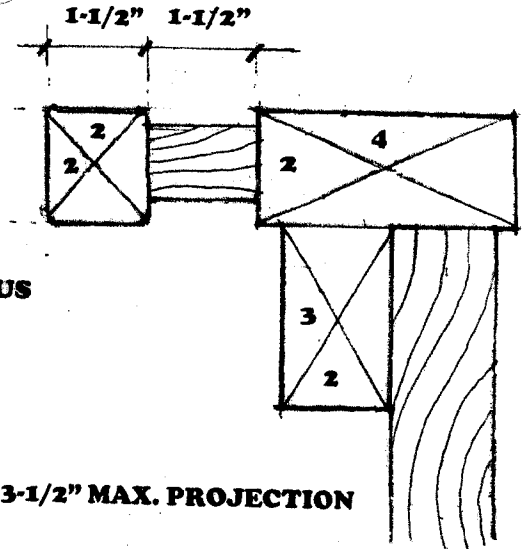


PERIMETER = 4" MIN. - 6-1/4" MAX.

MAX. CROSS SECTION - 2-1/4"



.01 RADIUS

3-1/2" MAX. PROJECTION

HANDRAIL DETAIL

NON-CIRCULAR TYPE I

2 X DECK OR TREATED PLYWOOD

PICKETS - 4" O.C. MAX.

12" MIN. EXTENSION PARALLEL TO GROUND

CONTINUOUS UN-INTERRUPTED HANDRAIL

60" X 60" IF RAMP CHANGES DIRECTION

36" MIN.

34" - 38"

2" X 6" - 10' MAX.
2" X 8" - 12' MAX.
2" X 10" - 15' MAX.

1:12 SLOPE MAX.

(2) 2" X 6"
4'-0" MAX. SPAN

CONCRETE FOOTING

3'-0" MIN. WIDTH

NOTE:

HANDRAIL REQUIRED BOTH SIDES
CAPABLE OF WITHSTANDING A 200 LB LATERAL
LOAD ALONG TOP RAIL AT ANY POINT

30" MAX. RISE
BETWEEN LANDINGS

6'-8" MIN. HEADROOM

HANDICAP RAMP GUIDE

SINGLE FAMILY DWELLING