

# 1 Pre-Fabricated Free Standing Accessory Structures

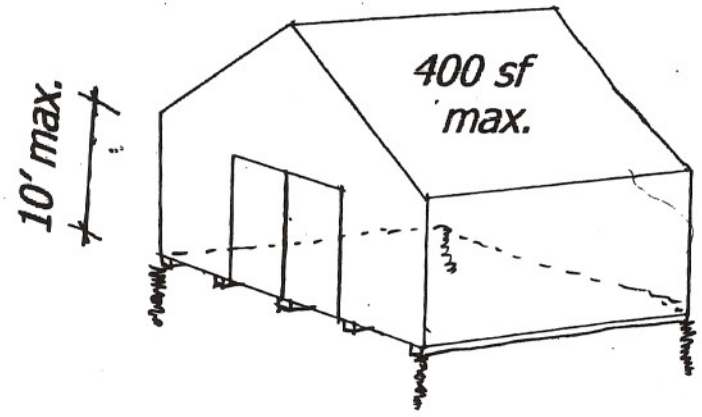
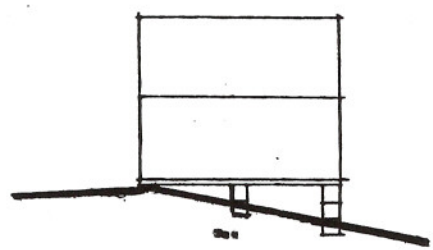
## Foundation Requirements:

*less than 400 sf with an eave height less than 10' 4 Auger Anchors Required*

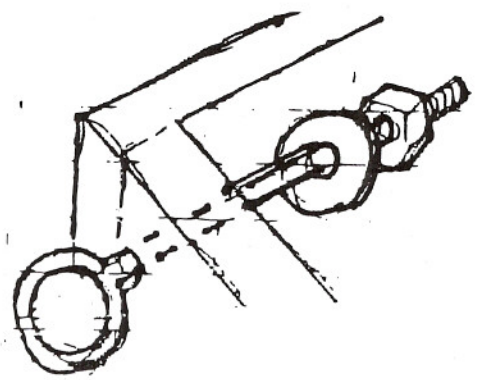
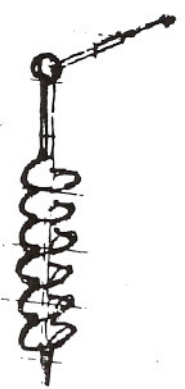
*greater than 400 sf **OR** eave height greater than 10' 30" deep foundation required*

## 2 Prepare Level Pad

or  
*Solid block as indicated below:*



shed width	6'	8'	10'	12'	14'	16'	18'	20'
block spacing along roof wall	4'-8"	4'-4"	4'-0"	3'-8"	3'-4"	3'-0"	2'-10"	2'-8"
shed skid spacing	2'-6"			5'-0"				
interior block spacing	6'-4"			2'-6"				



## 3 4 Auger Anchor/Straps required One on each corner

## 4 Secure to Shed Frame with 1/2" round x 2" long eye bolts