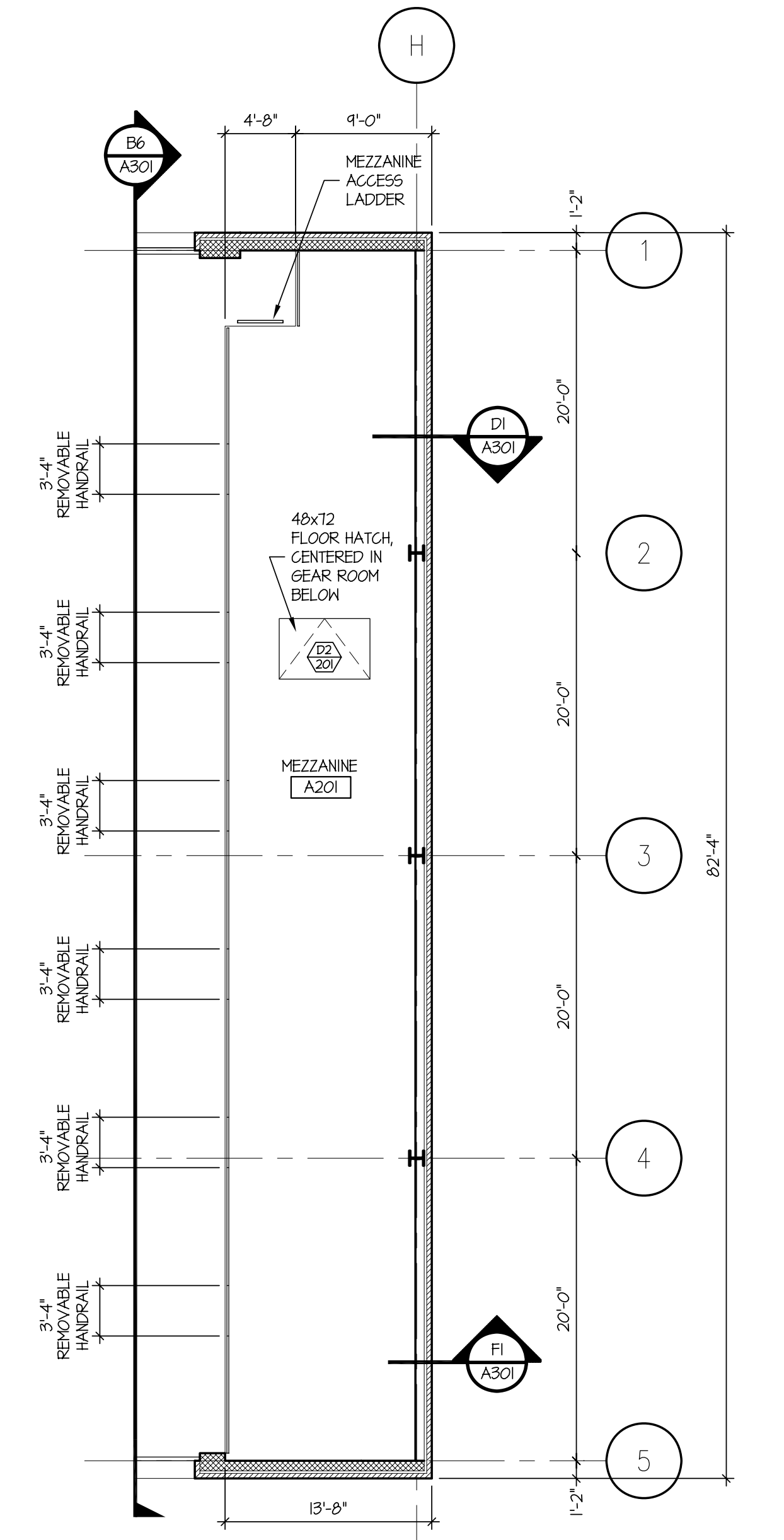
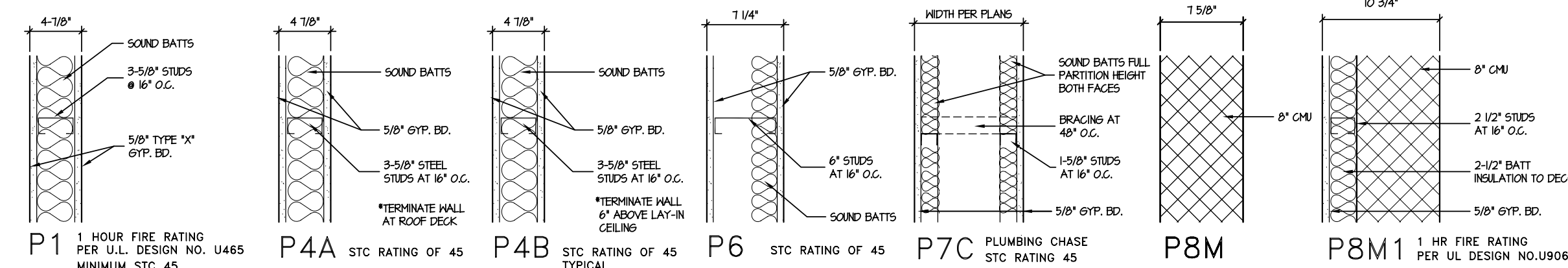


**G9** TYPICAL PLAN DETAIL @ INTERIOR COLUMNS  
 A101 SCALE: 1" = 1'-0"



**B9** TRAINING MEZZANINE FLOOR PLAN  
 A101 AREA: 483 SF. SCALE: 1/8" = 1'-0"

**B1** NEW WORK FLOOR PLAN  
 A101 AREA: 1153 SF. F.F. ELEV.: 51.40' SCALE: 1/8" = 1'-0"



PARTITION TYPES

GENERAL PARTITION NOTES

- SEE U.L. FIRE RESISTANCE DIRECTORY FOR REQUIREMENTS OF ALL FIRE RATED ASSEMBLIES.
- WHERE SOUND BATTIS ARE INDICATED PROVIDE 2x12" SOUND ATTENUATION BATTIS TO TOP OF WALL ASSEMBLY.
- TYPICAL PARTITION - PARTITION TYPES NOT INDICATED SHALL BE TYPE P4B UNLESS OTHERWISE NOTED OTHERWISE IN NOTES BELOW.
- PARTITION CONTINUITY - PARTITIONS NOT DEFINED SHALL BE SAME TYPE AS ADJACENT PARTITIONS OF SIMILAR FUNCTION, INCLUDING ACROSS ALL DOOR OPENINGS.
- CORRIDOR PARTITIONS - PROVIDE PARTITION TYPE P4A. UNLESS NOTED OTHERWISE MINIMUM CONSTRUCTION TO HAVE 6\"/>

BUILDING PERMIT NO: B02243739  
 GRADING PERMIT NO: G02013138  
 FEMA A.R.R.A. GRANT NO: EMW-2009-04550R

REVISION	DESCRIPTION	BY	DATE

**WGM** ARCHITECTURE + INTERIORS  
 Wheeler Goodman Masek  
 One Annapolis Street, #100  
 Annapolis, Maryland 21401  
 V. 410.841.6787  
 F. 410.841.5523  
 www.wgm-arch.com

ANNE ARUNDEL COUNTY  
 DEPARTMENT OF PUBLIC WORKS

REVISED DATE	APPROVED BY	DATE	APPROVED DATE	DATE	SCALE: AS NOTED

FLOOR PLAN  
 A.A.Co. FIRE DEPARTMENT  
 MARLEY FIRE STATION  
 7726 Baltimore Annapolis Blvd.  
 Glen Burnie, Maryland 21060