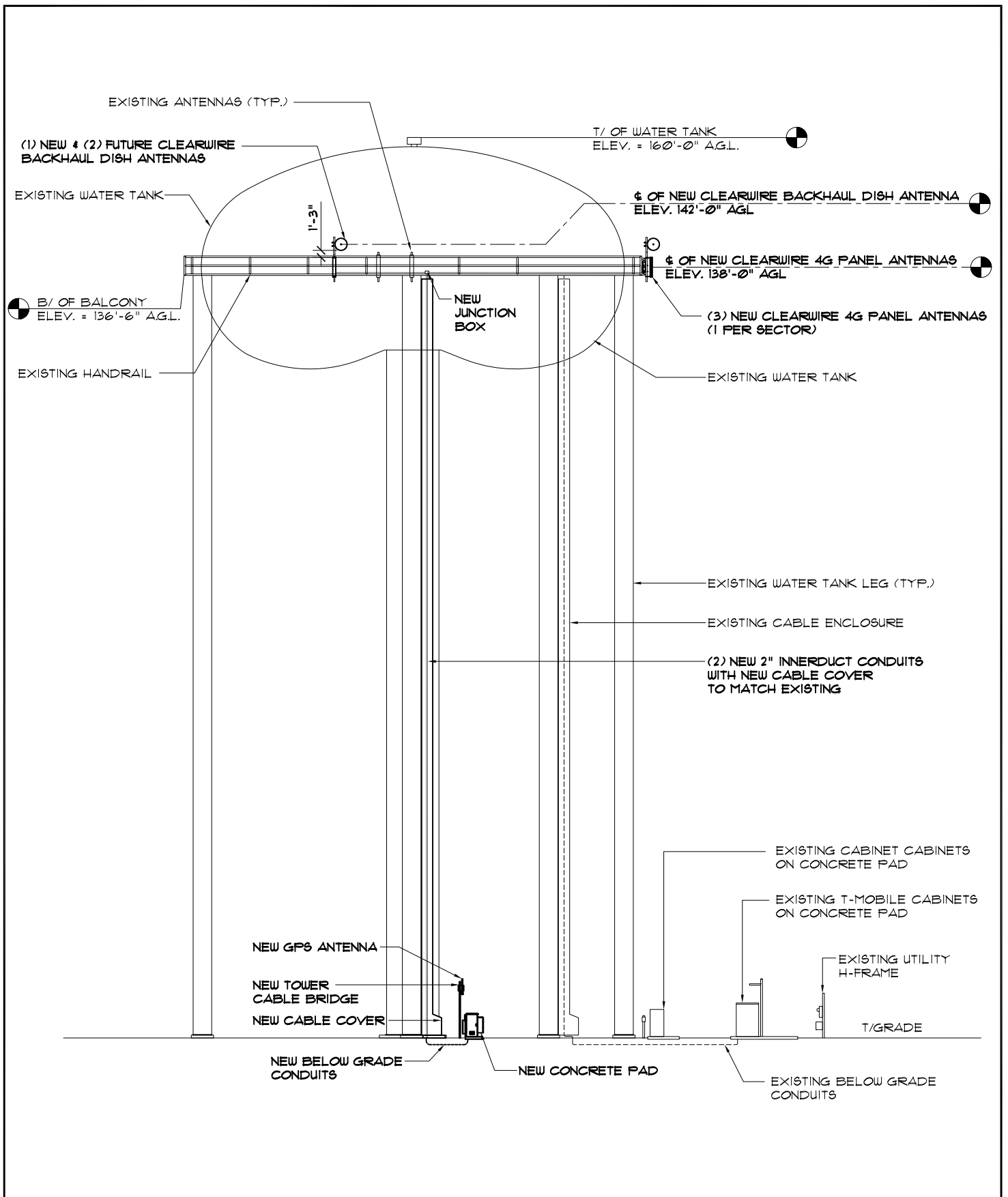


clearwre[®]
 wireless broadband
 593 HERNDON PKWY
 HERNDON, VA 20170
 FAX: (703) 541-5400


Fullerton Engineering Consultants, Inc.
 9100 W. HIGGINS RD., SUITE 800
 ROSEMONT, ILLINOIS 60018
 TEL: 847-292-0200
 FAX: 847-292-0205

SITE NAME
CROFTON MEADOWS TANK
 SITE NUMBER
MD-BAL0137-A

SITE ADDRESS
**1601 RIEDEL ROAD
 CROFTON, MD 21114**
SITE PLAN
 SCALE: 1" = 30'-0"



clearwre[®]
wireless broadband

593 HERNDON FWY
HERNDON, VA 20110
FAX: (703) 541-5400

Fullerton Engineering Consultants, Inc.

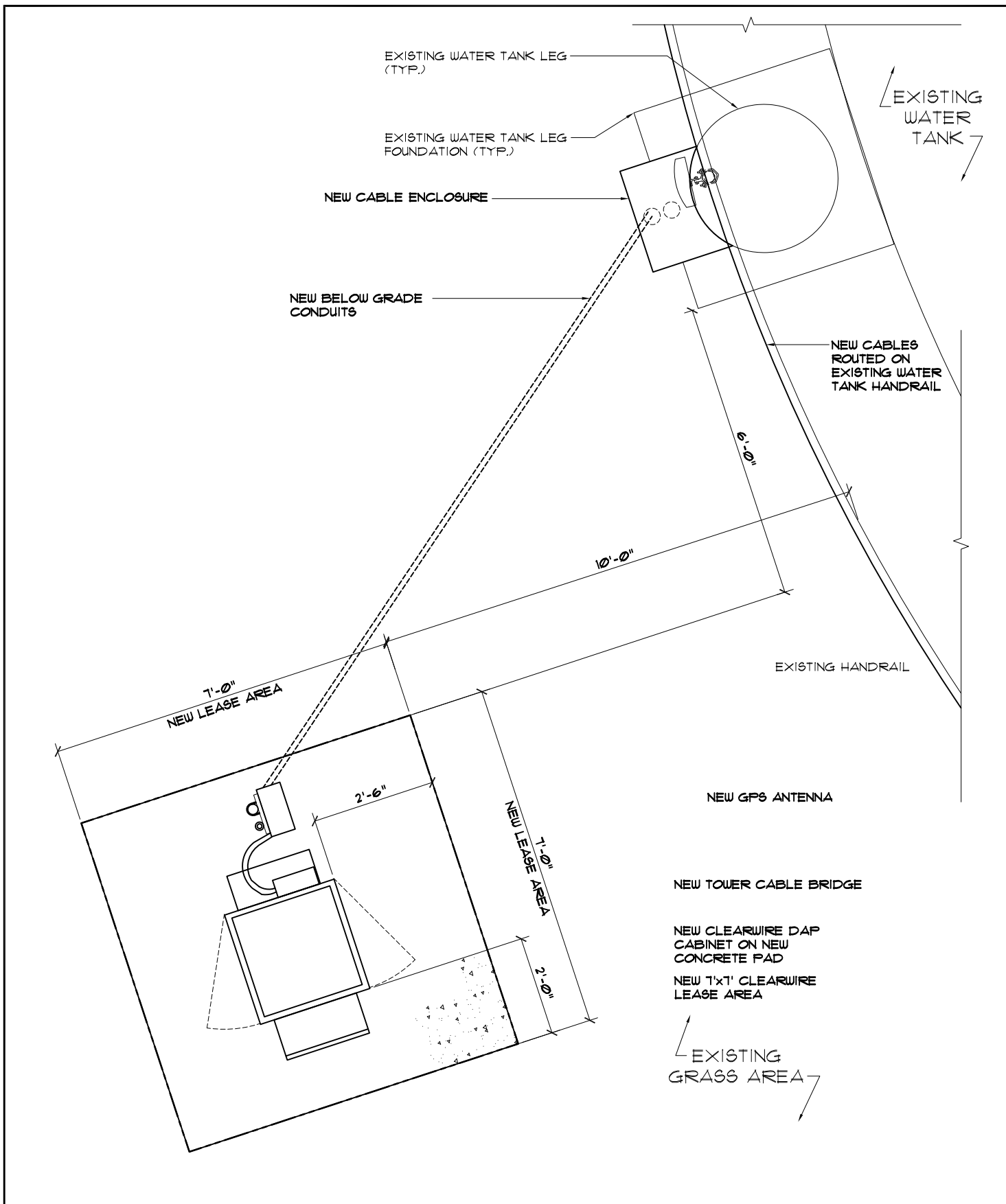
9100 W. HIGGINS RD, SUITE 800
ROSEMONT, ILLINOIS 60018
TEL: 847-292-0200
FAX: 847-292-0205

SITE NAME
CROFTON MEADOWS TANK

SITE NUMBER
MD-BAL0137-A

SITE ADDRESS
**1601 RIEDEL ROAD
CROFTON, MD 21114**

SITE ELEVATION
SCALE: N.T.S.



clearwre
wireless broadband

593 HERNDON PKWY
HERNDON, VA 20170
FAX: (703) 541-5400



**Fullerton
Engineering
Consultants, Inc.**

9700 W. HIGGINS RD, SUITE 800
ROSEMONT, ILLINOIS 60018
TEL: 847-292-0200
FAX: 847-292-0205

SITE NAME
**CROFTON MEADOWS
TANK**

SITE NUMBER
MD-BAL0137-A

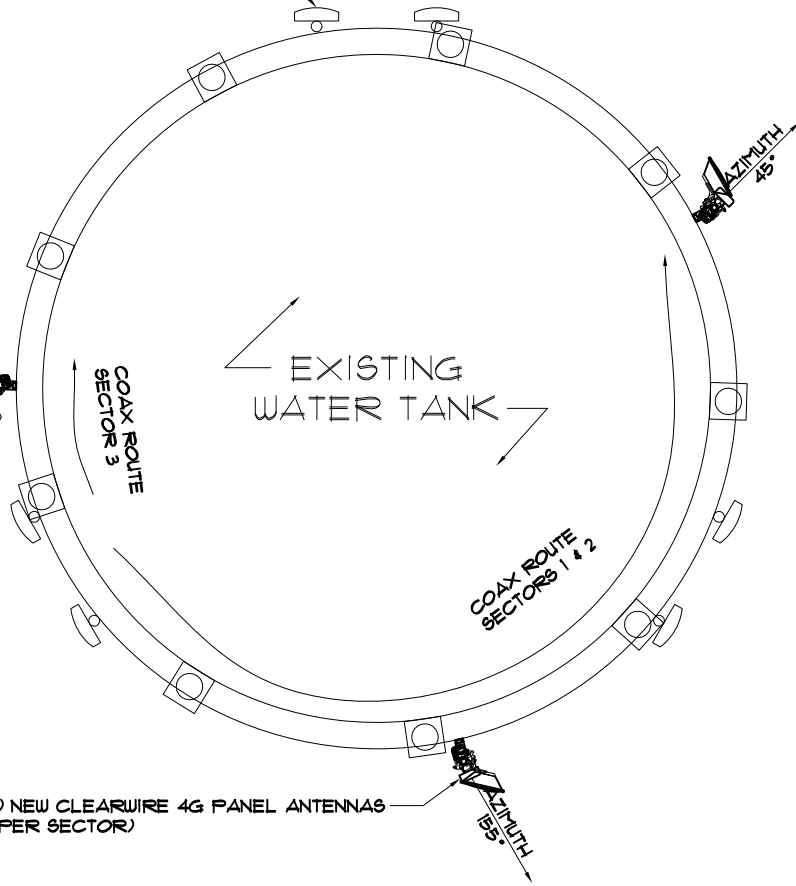
SITE ADDRESS
**1601 RIEDEL ROAD
CROFTON, MD 21114**

**ENLARGED
SITE PLAN**
SCALE: 3/8" = 1'-0"

(6) EXISTING T-MOBILE ANTENNAS
(2 PER SECTOR TYP.)

(1) NEW & (2) FUTURE
CLEARWIRE BACKHAUL
DISH ANTENNA

(3) NEW CLEARWIRE 4G PANEL ANTENNAS
(1 PER SECTOR)



clearwre
wireless broadband

593 HERNDON PKWY
HERNDON, VA 20170
FAX: (703) 541-5400



Fullerton
Engineering
Consultants, Inc.

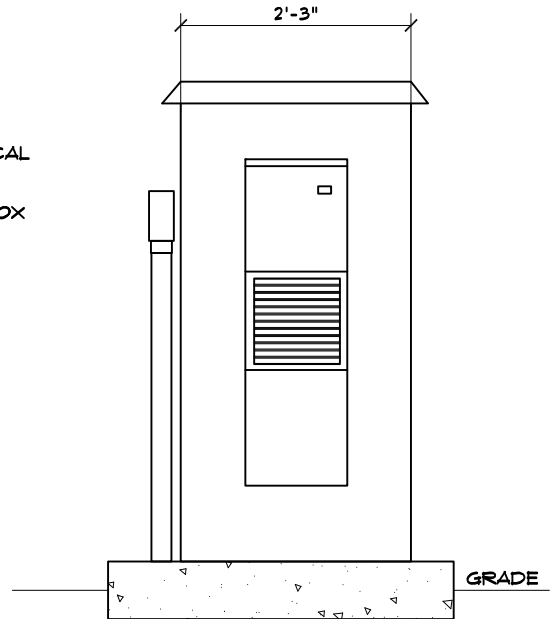
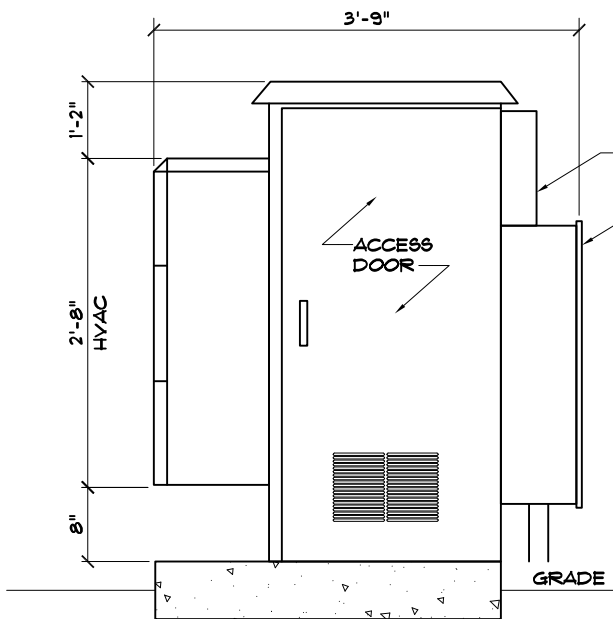
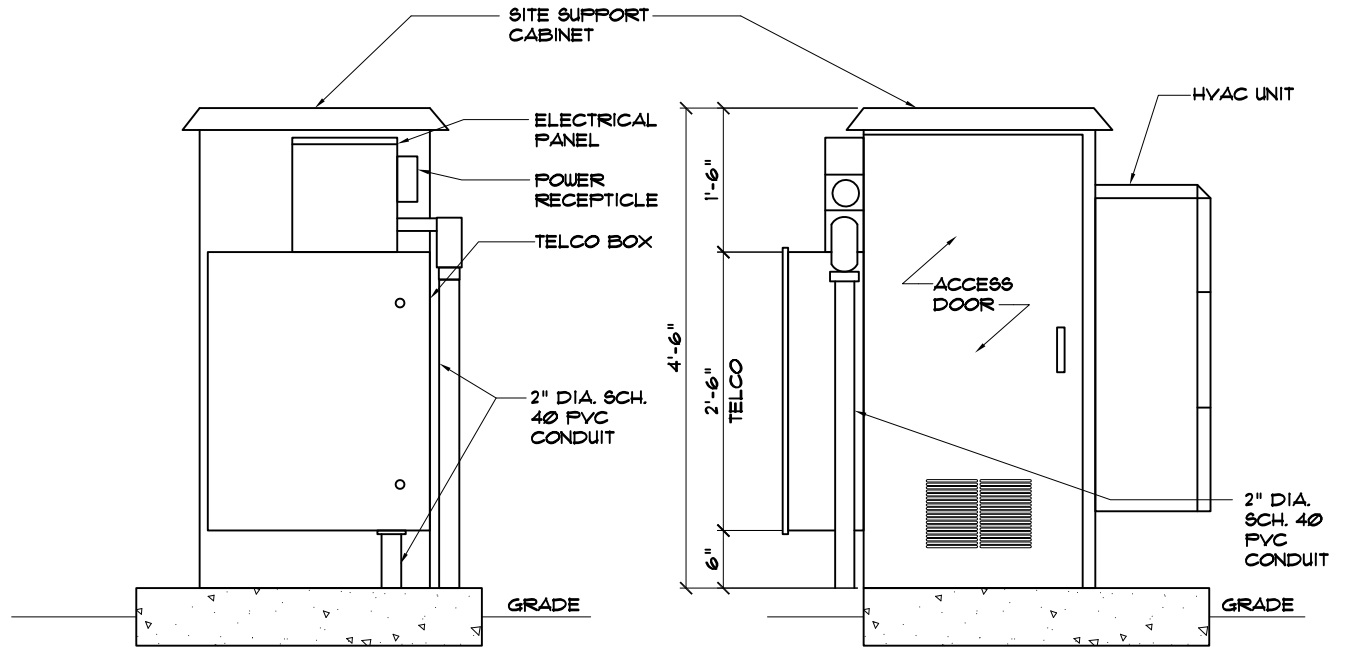
9700 W. HIGGINS RD., SUITE 800
ROSEMONT, ILLINOIS 60018
TEL: 847-292-0200
FAX: 847-292-0205

SITE NAME
**CROFTON MEADOWS
TANK**

SITE NUMBER
MD-BAL037-A

SITE ADDRESS
1601 RIEDEL ROAD
CROFTON, MD 21114

**ANTENNA & DISH
PLAN**
SCALE: N.T.S.



clearwre
wireless broadband

593 HERNDON PKWY
HERNDON, VA 20170
FAX: (703) 541-5400



**Fullerton
Engineering
Consultants, Inc.**

9700 W. HIGGINS RD, SUITE 800
ROSEMONT, ILLINOIS 60018
TEL: 847-292-0200
FAX: 847-292-0205

SITE NAME
**CROFTON MEADOWS
TANK**

SITE NUMBER
MD-BAL037-A

SITE ADDRESS
**1601 RIEDEL ROAD
CROFTON, MD 21114**

CABINET DETAILS
SCALE: N.T.S.