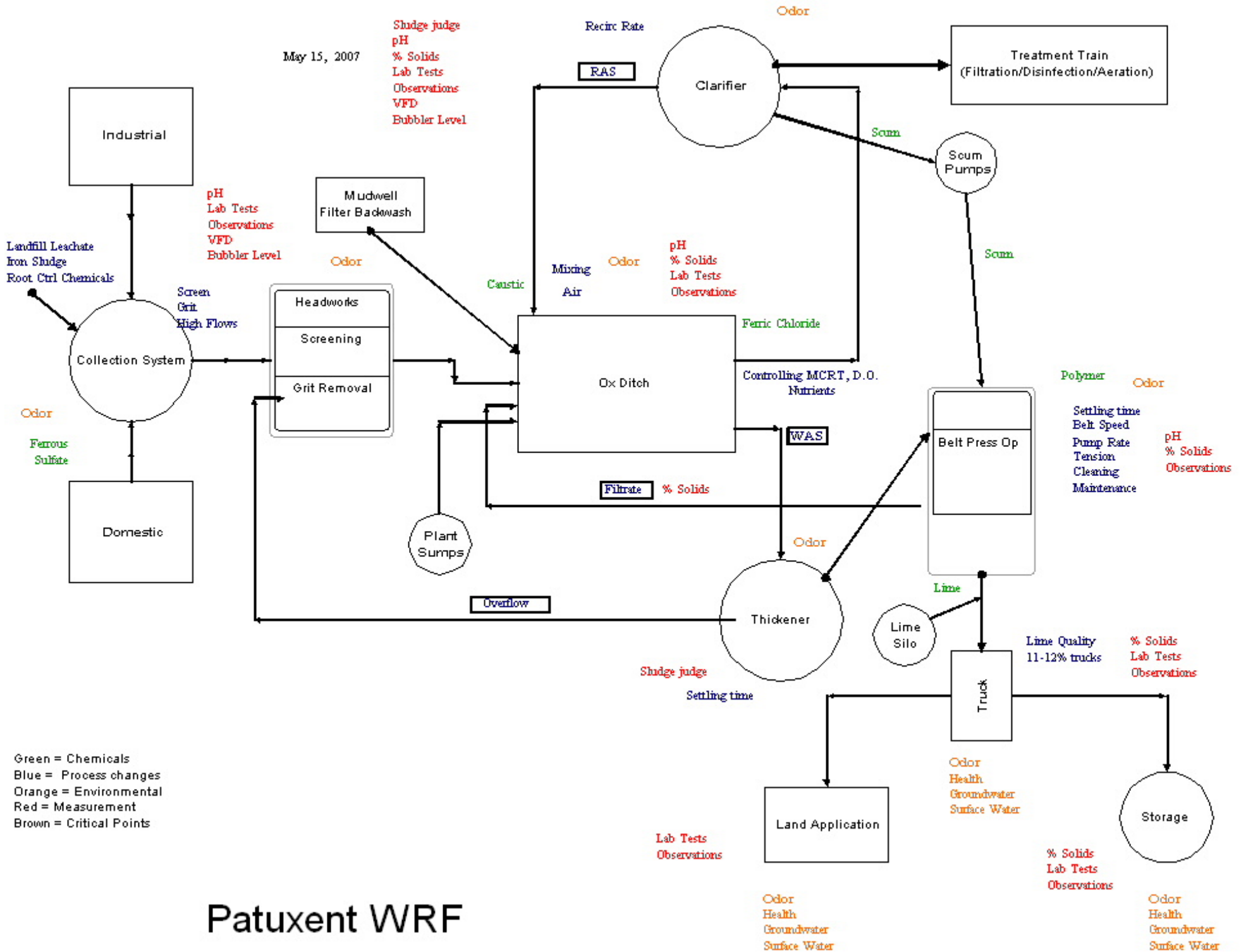


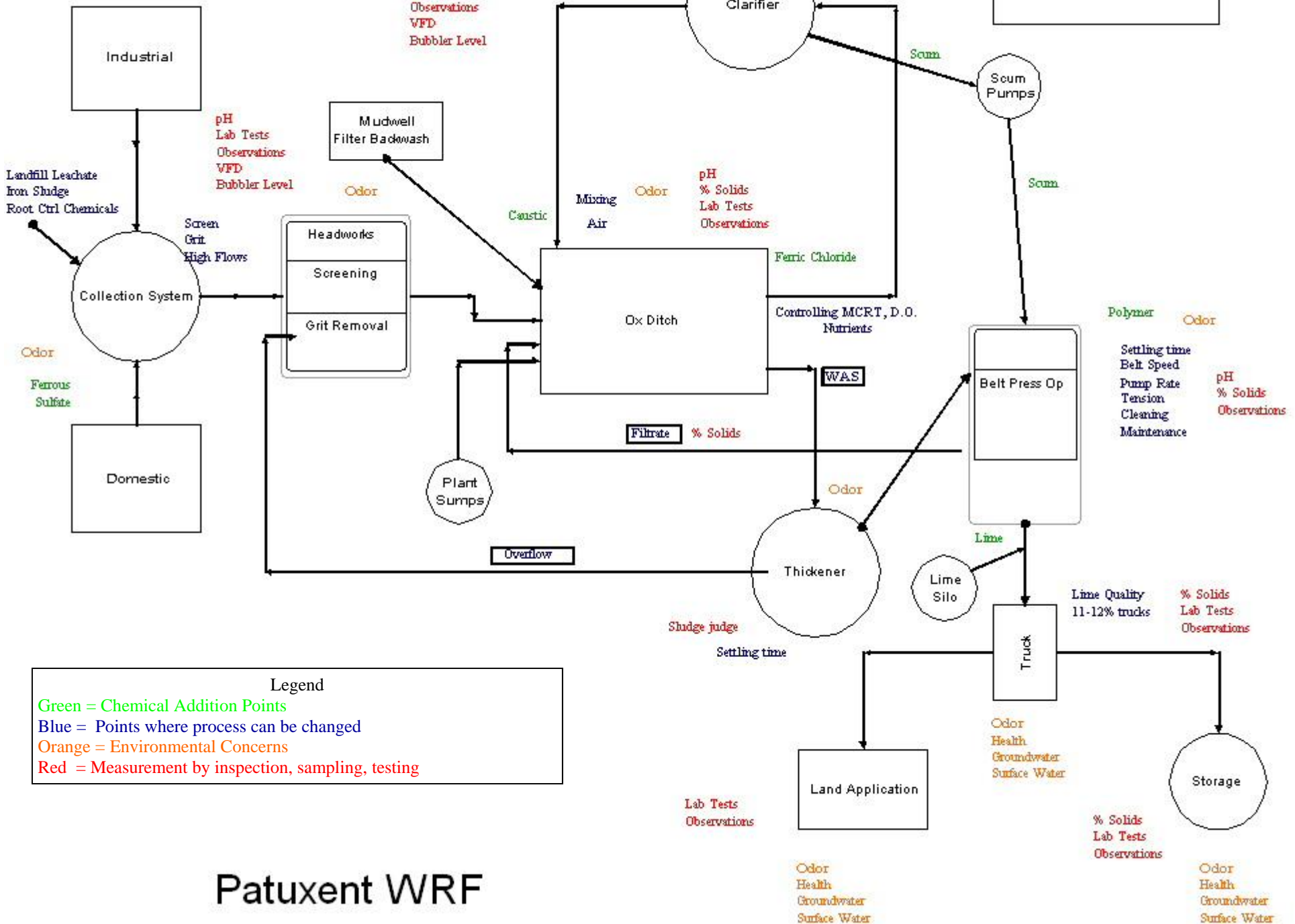
May 15, 2007



# Patuxent WRF

May 15, 2007

Sludge judge  
pH  
% Solids  
Lab Tests  
Observations  
VFD  
Bubbler Level



**Legend**  
 Green = Chemical Addition Points  
 Blue = Points where process can be changed  
 Orange = Environmental Concerns  
 Red = Measurement by inspection, sampling, testing

# Patuxent WRF